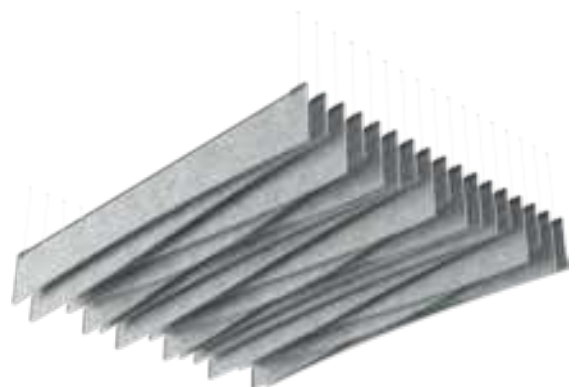




CEILING

Baffle wave

Baffle wave is vertically installed unframed units. It is available in different sizes and a wide range of colors. Two hanging methods: free hanging of each of the baffles or using a connector profile that maintains a uniform hanging. It is being sold as 4 part module that can be looped.



THICKNESS

12 mm
24 mm

HEIGHT

100 - 300 mm / 150 - 250 mm
200 - 400 mm

LENGTH

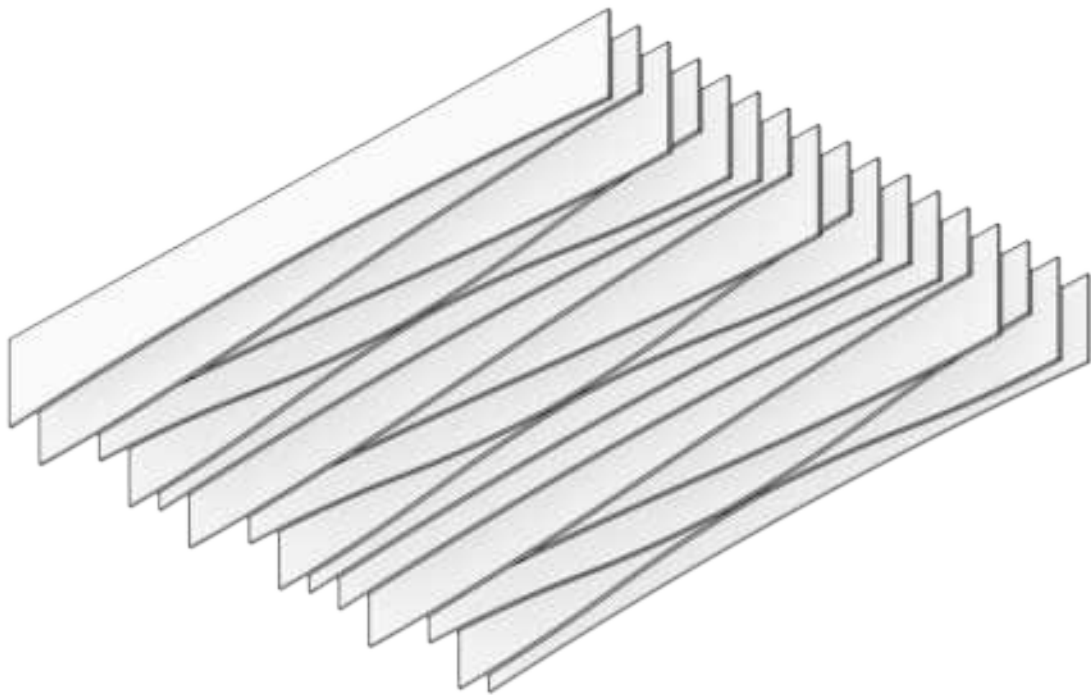
2780 mm
2400 mm



Specifications	3
Models	4
Isometry	6
Color Palette	7
Wood Collection	9
Installation Method 1 - Uniformed Hanging	11
Installation Method 2 - Free Hanging	15



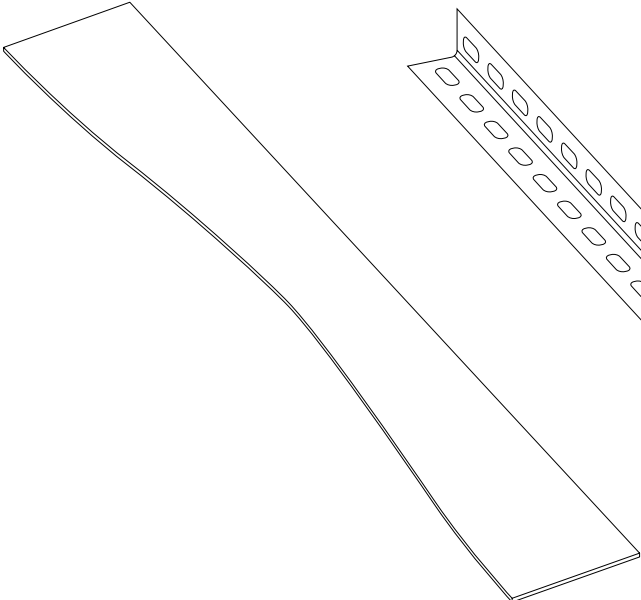
Manufactured From	Panels
Composition	100% Polyester (PET)
Sustainability	70% Recycled drinking bottles
Application	Suspending ceiling
Fire Rating	EN13501-1 B S-1 d0
Length	2780 mm
Height	100 - 300 mm / 150 -250 mm / 200 - 400 mm
Thickness	12 mm / 24 mm (tolerance $\pm 7\%$)
Installation	Varies
Acoustic	$aw = 0.90$
VOC	According to EN ISO 16000-9 Standard: A+
Pattern Repeat	Non-woven with a consistent pattern repeat. Despite slight variations due to fiber blending and lay-up, inherent to the product, it maintains uniformity in design, offering a unique yet coherent aesthetic.
Color Fading	Assessment of color fastness according to EN 1587 Assessed against the grey scale ISO-A02.
Care	Can be simply clean using a damp cloth and vacuum cleaner.



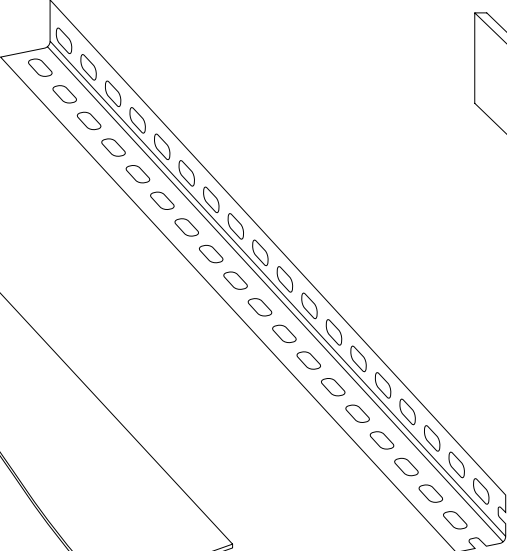
Baffle Wave



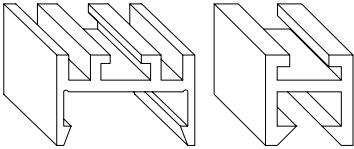
Baffle Wave



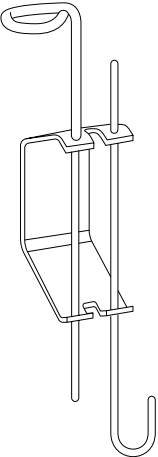
Perforated L - Profile



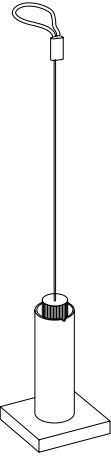
Dedicated U Profile
24mm and 12mm, according
to Baffle



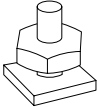
Adjustable Hanger



**Dedicated Cable
Hanging Accessory**



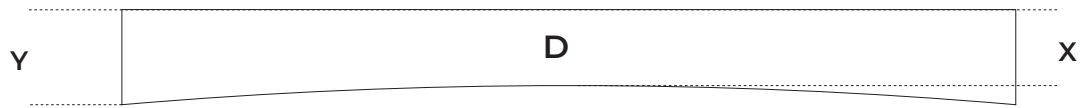
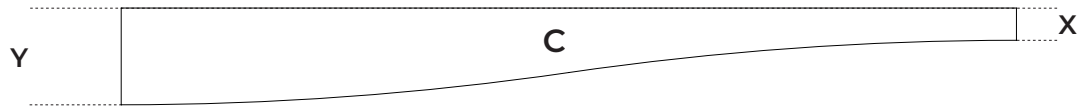
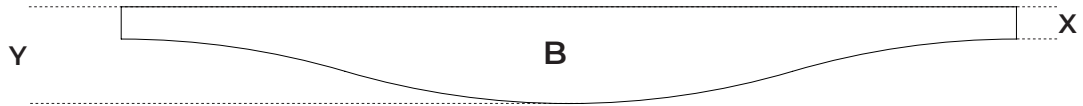
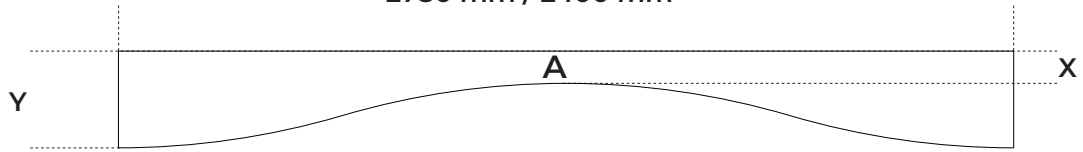
Screw & Nut



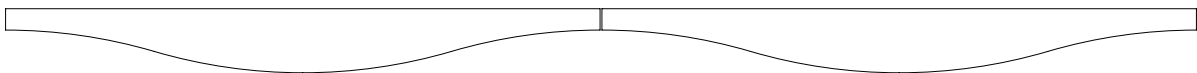
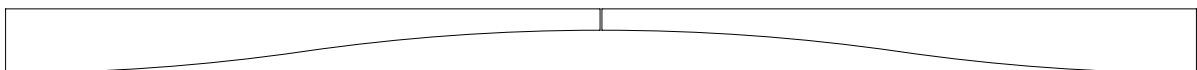


Baffle Wave

2780 mm / 2400 mm



	A	B	C	D
X/Y	100 / 300 mm	100 / 300 mm	100 / 300 mm	200 / 250 mm
	150 / 250 mm	150 / 250 mm	150 / 250 mm	300 / 250 mm
	200 / 400 mm	200 / 400 mm	200 / 400 mm	400 / 350 mm





Light Grey
EP28



White
EP24



Cream
EP43



Beighe
EP07



Mocca
EP14



Taupe
EP22



Sea Sand
EP208



Olive Leaf
EP207



Grey Stone
EP206



Autumn Green
EP45



Gray Khaki
EP93



Cypres Tree
EP803



Silver
EP03



Forest Green
EP103



Ash
EP04



Rose Shadow
EP405



Cherry
EP123



Red
EP25



Yellow
EP11



Orange
EP06



Terra Cotta
EP125



Bright Horizon
EP608



Blue Sky
EP605



Blue Ocean
EP50



Light Blue
EP05



Blue Jeans
EP92



Dark Grey
EP18



Dark Blue
EP51



Black Berry
EP57



Black
EP09



Strip Wenge
EPW0202N



American Walnut
EPW0203N



Teak
EPW0302N



Strip American Cherry
EPW0304N



Strip European White Oak
EPW0401N



Flower European White Oak
EPW0402N



Split Oak
EPW0404N



European White Oak
EPW0405N



Strip White Oak
EPW0407N



Smoked Oak
EPW0408N



Strip Maple
EPW0504N



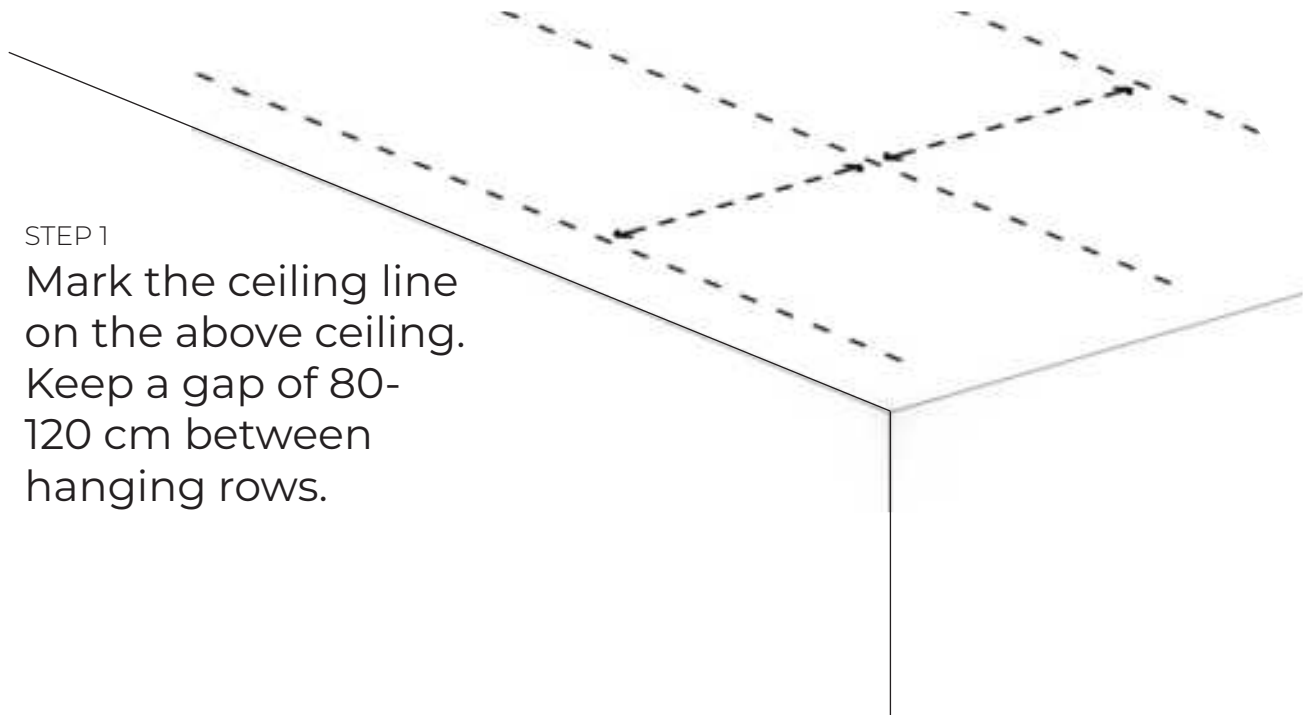
Strip Greige Oak
EPW0702N



METHOD 1 - UNIFORMED HANGING

STEP 1

Mark the ceiling line on the above ceiling. Keep a gap of 80-120 cm between hanging rows.



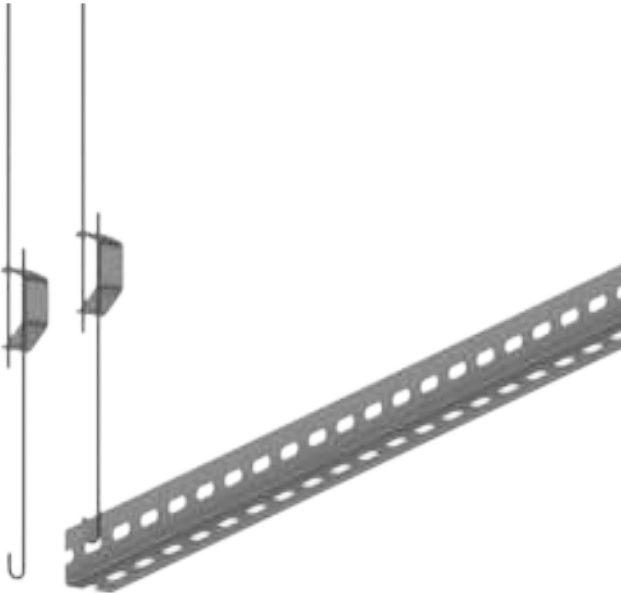
STEP 2

Install the adjustable hangers accordingly.

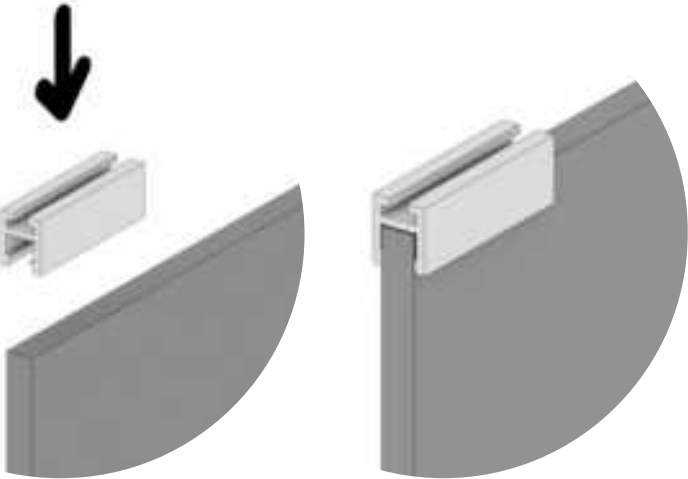




STEP 3
Connect the
Perforated L Profiles
to the Adjustable
Hangers.

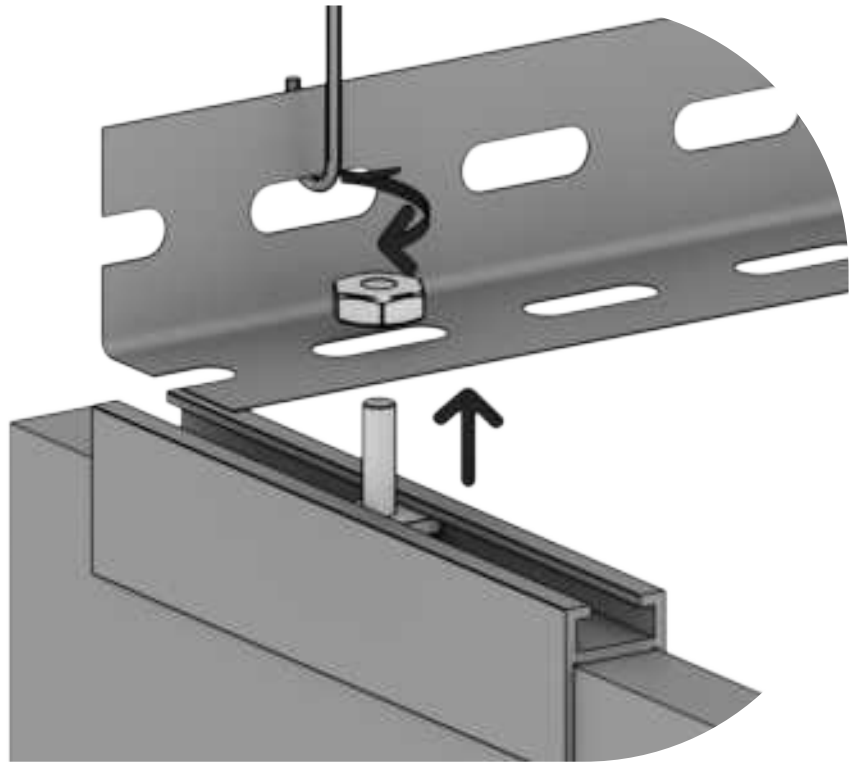


STEP 4
Nail the U Profile into
the Baffles. Make sure
to do so all the way
down.

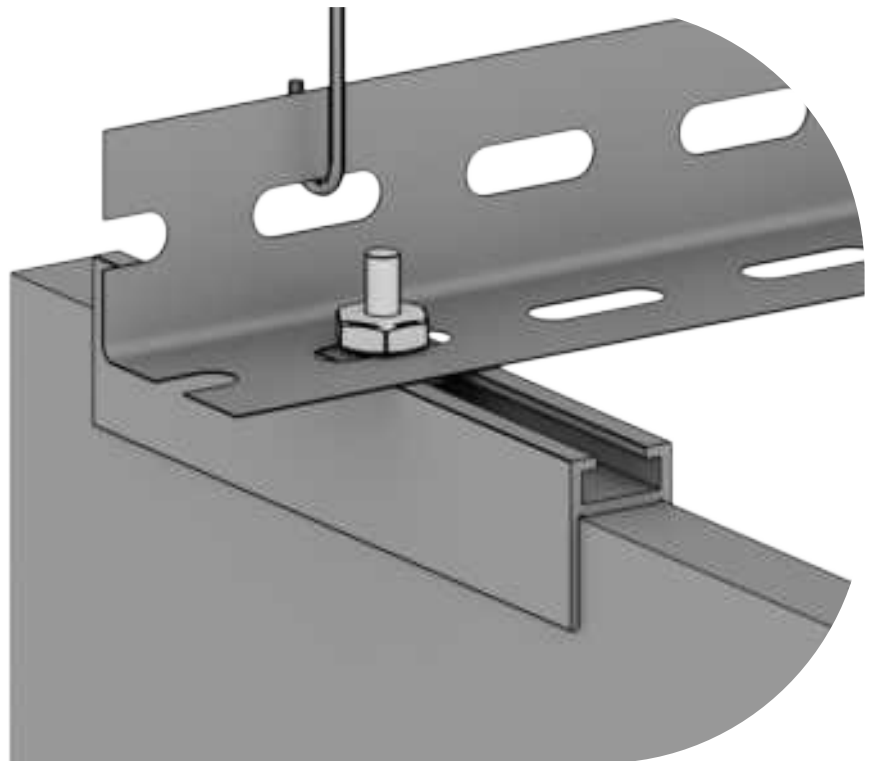


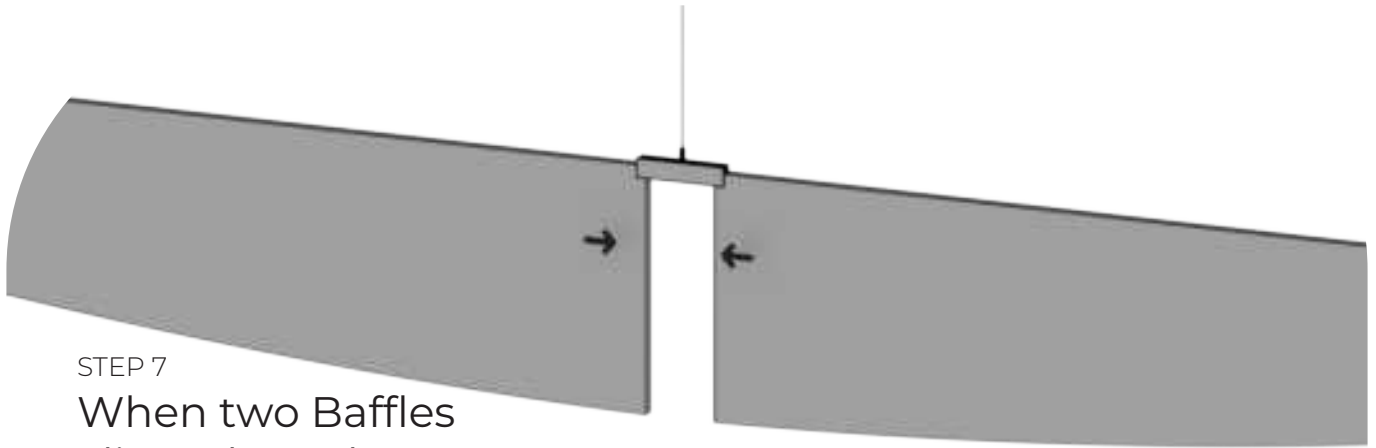


STEP 5
Thread the screw
into the U Profile.



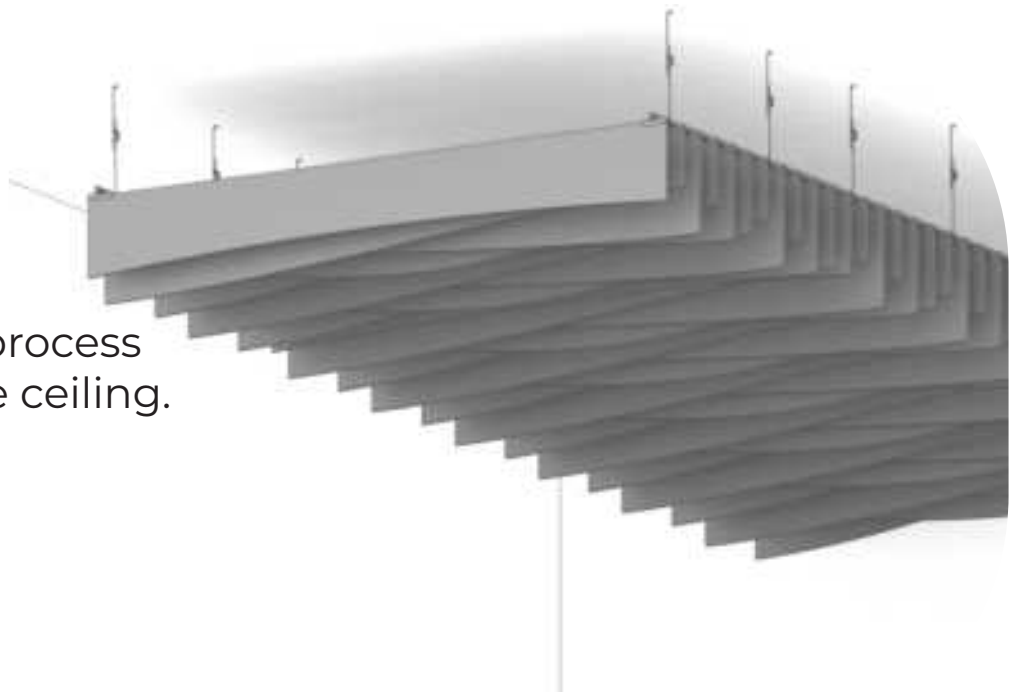
STEP 6
Tighten the nut to
the screw.





STEP 7

When two Baffles aligned - make sure to connect them with a U Profile. Keep a 5 mm detaching distance between two continuous Baffles



STEP 8

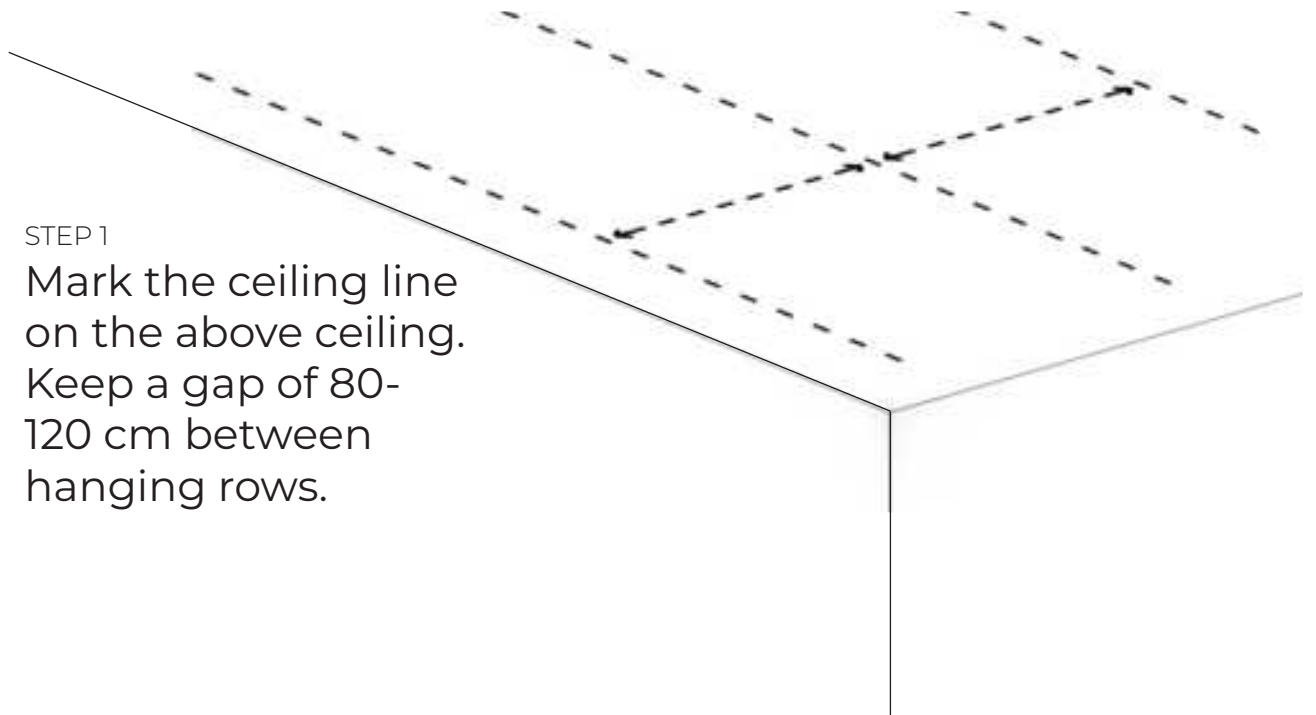
Repeat the process for the entire ceiling.



METHOD 2 - FREE HANGING

STEP 1

Mark the ceiling line on the above ceiling. Keep a gap of 80-120 cm between hanging rows.



STEP 2

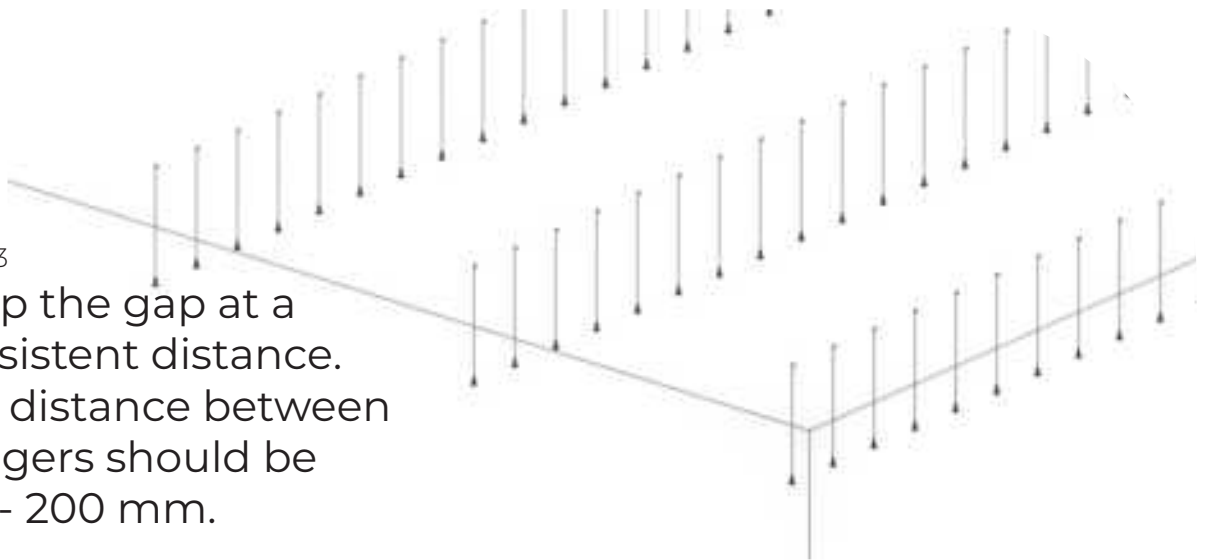
Install the adjustable hangers accordingly.





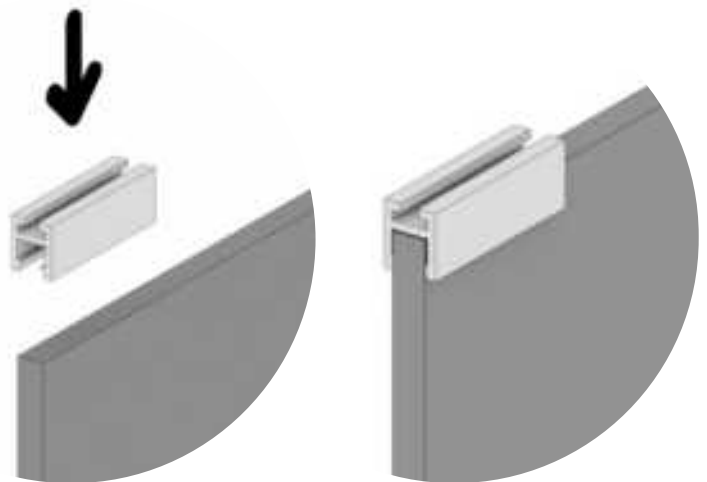
STEP 3

Keep the gap at a consistent distance. The distance between hangers should be 150 - 200 mm.



STEP 4

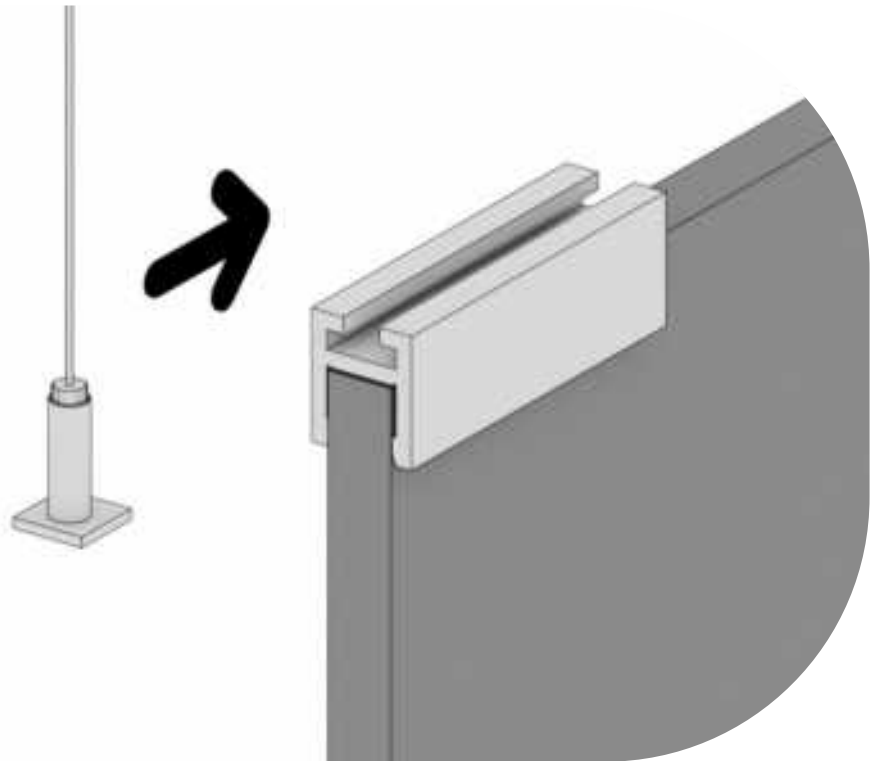
Nail the U Profile into the Baffles. Make sure to do so all the way down.





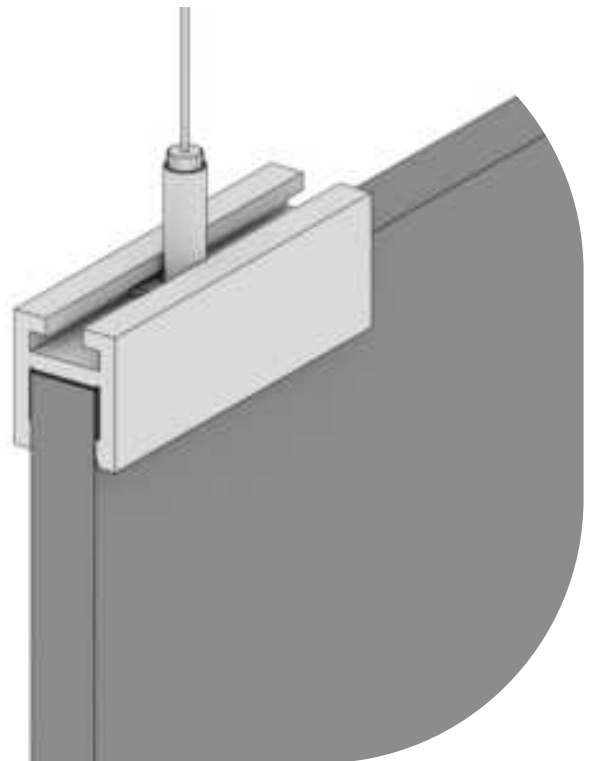
STEP 5

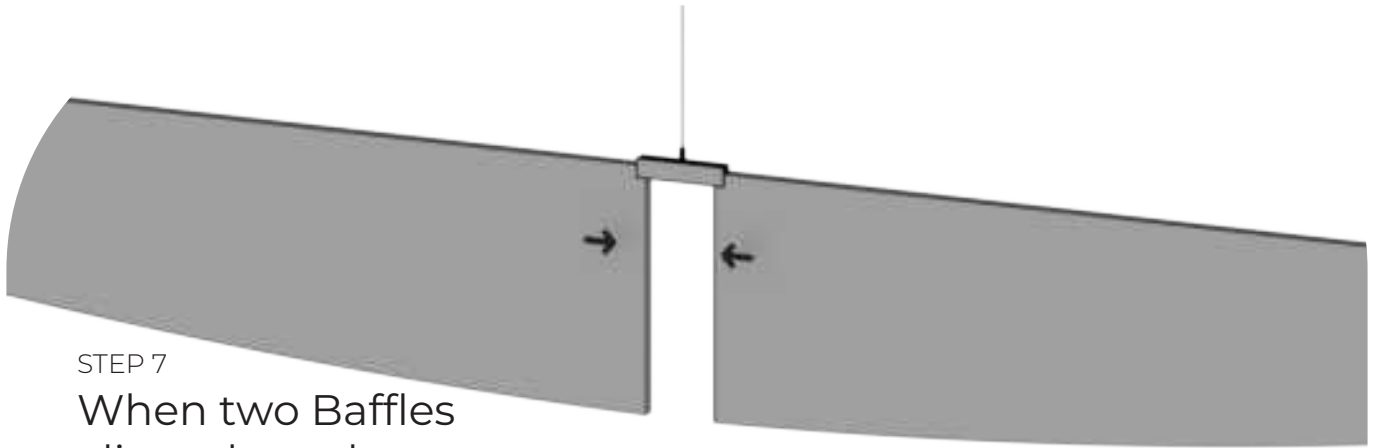
Thread the dedicated cable hanging accessory into the U Profile.



STEP 6

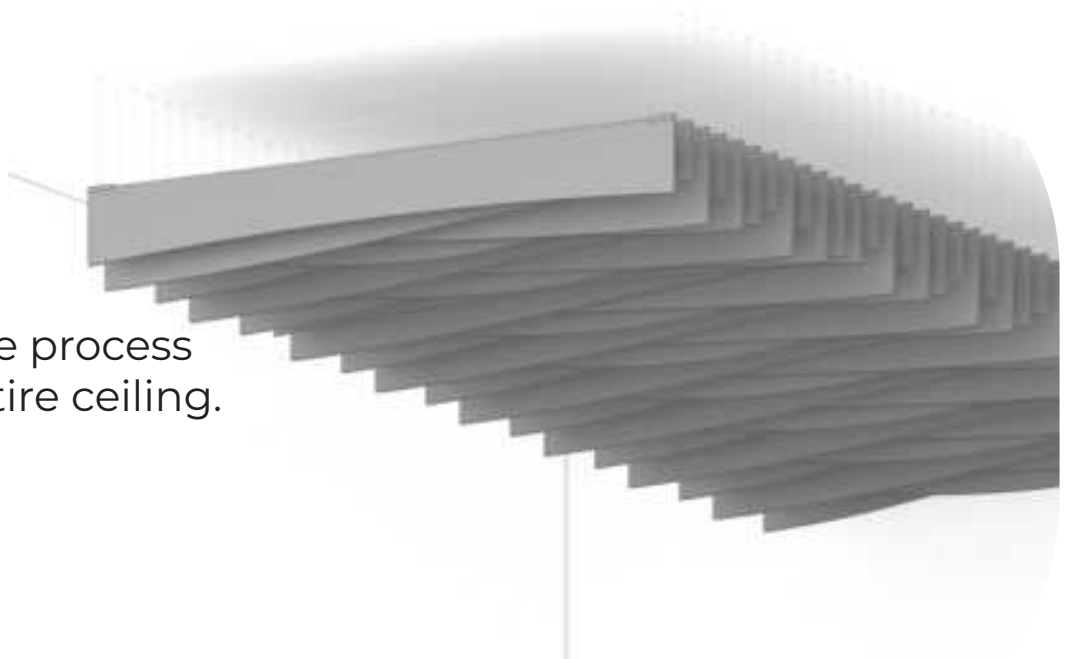
Make sure it is properly tightened.





STEP 7

When two Baffles aligned - make sure to connect them with a U Profile. Keep a 5 mm detaching distance between two continuous Baffles



STEP 8

Repeat the process for the entire ceiling.