

CEILINGS

INSTALLATION GUIDE

Baffle Wave

Baffle is vertically installed unframed units. It is available in different sizes and a wide range of colors. Two hanging methods: free hanging of each of the baffles or using a connector profile that maintains a uniform hanging.

THICKNESS

12 mm

24 mm

HIEGHT

20 cm

40 cm

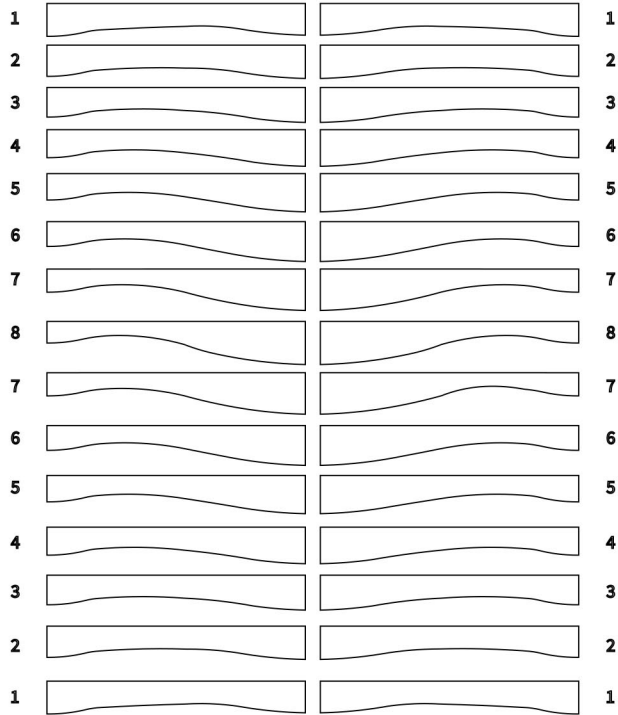
MAX LENGTH

30 cm

278 cm

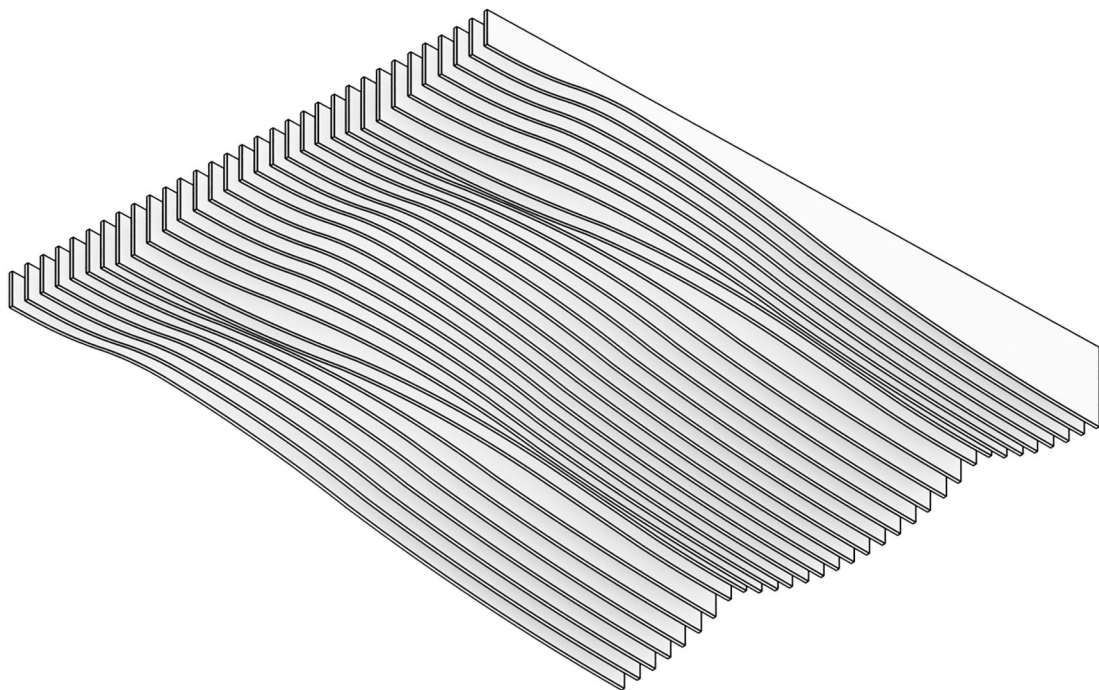
Customized sizes are available.

DIMENSIONS



Each Unit
Height: 30-40 cm
Width: 278 cm

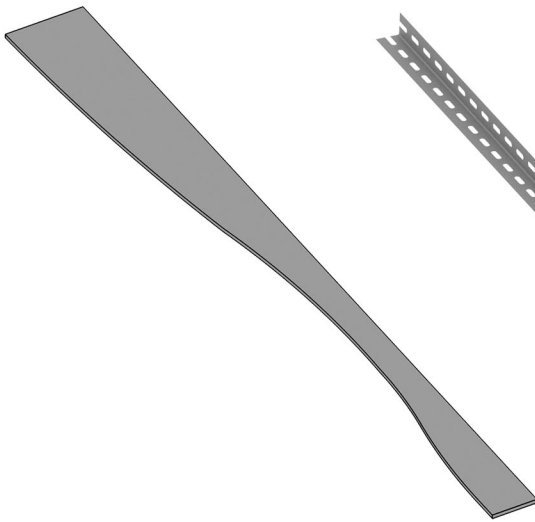
ISOMETRY



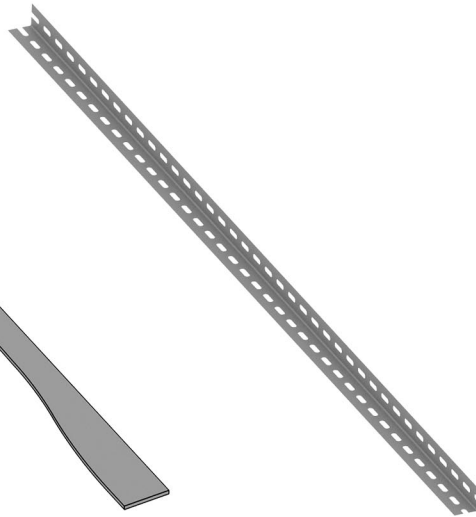
INSTRUCTIONS

These are your parts.

TYPE A (Uniformed Hanging)



Baffle



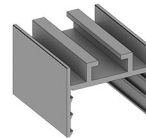
Perforated L Profile



**Screw
& Nut**

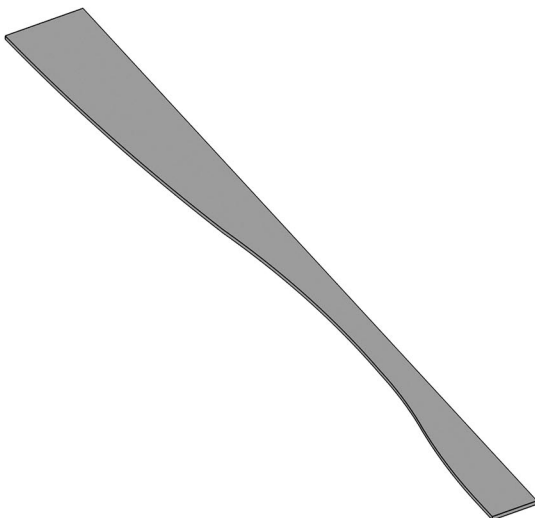


**Adjustable
Hanger**



Dedicated U Profile
24mm and 12mm, according
to Baffle

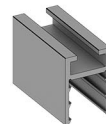
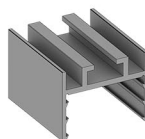
TYPE B (Free Hanging)



Baffle



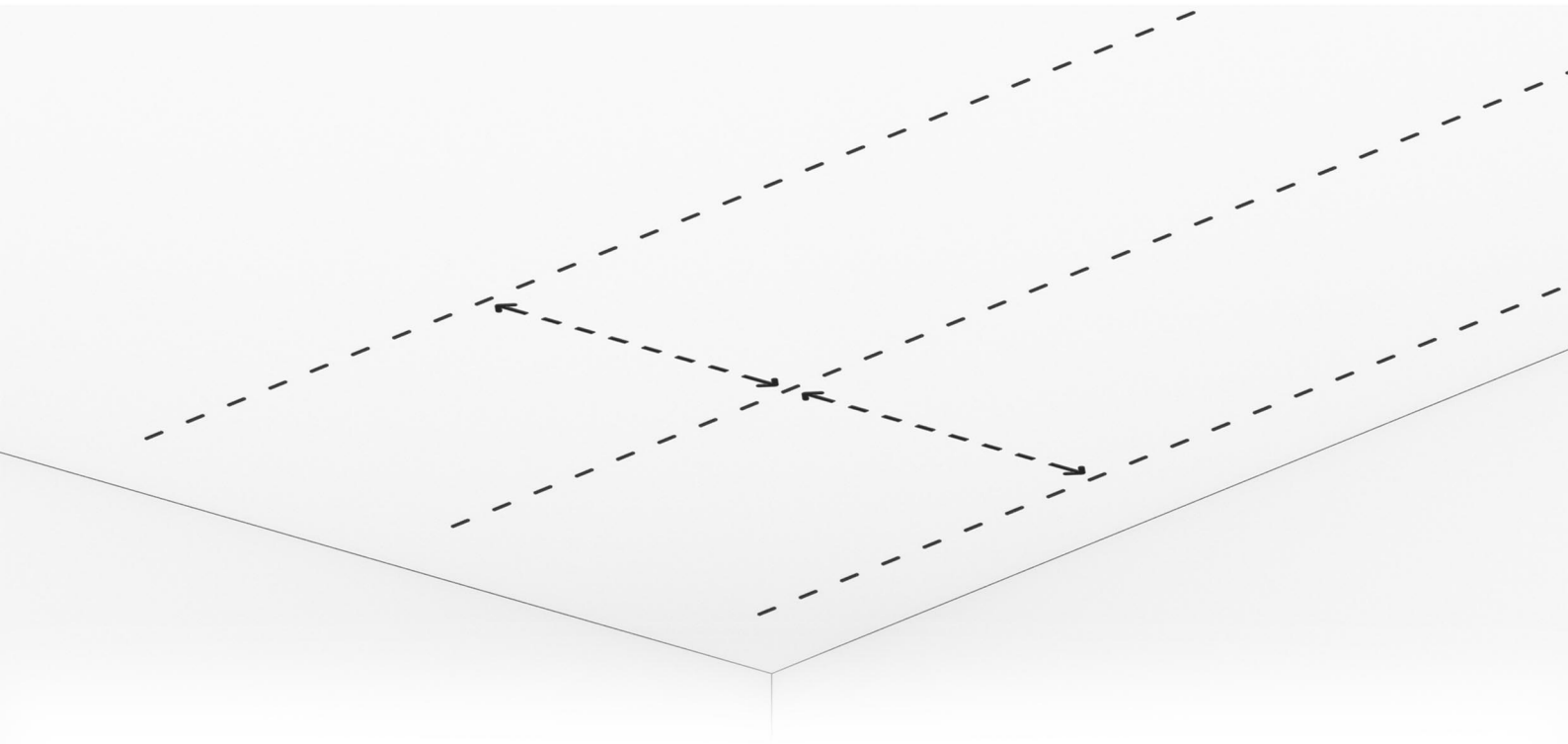
**Dedicated Cable
Hanging Accessory**



Dedicated U Profile
24mm and 12mm, according
to Baffle

TYPE A (Uniformed Hanging)

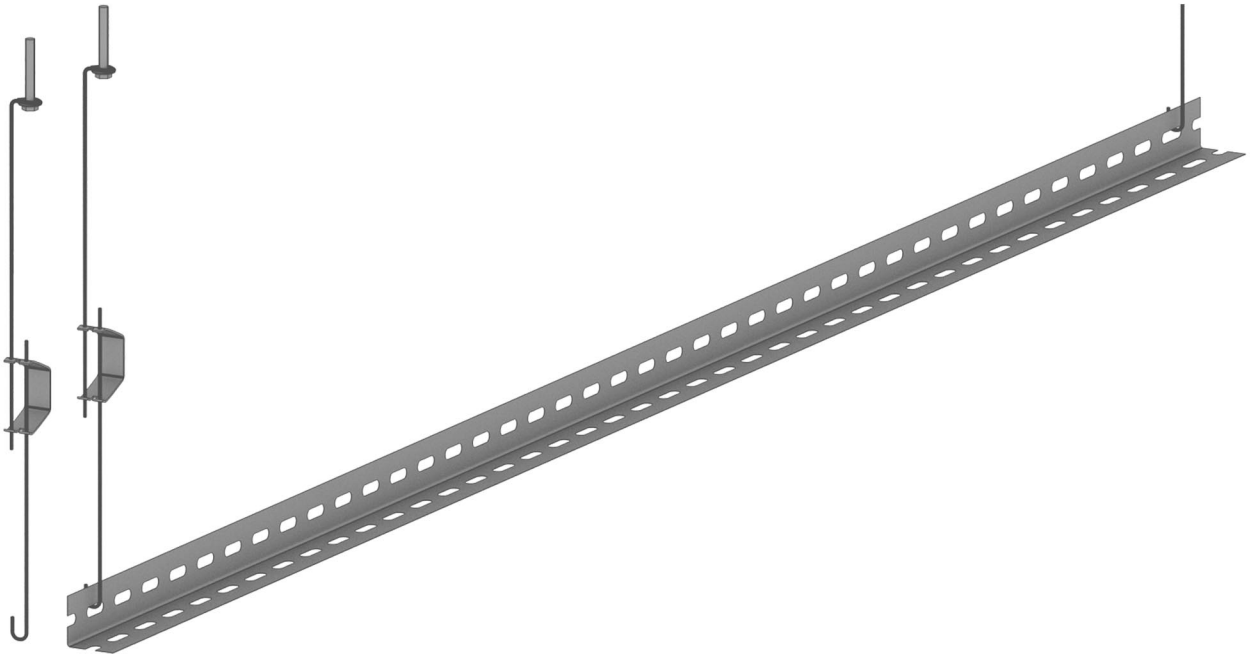
- ① **Mark the ceiling line on the above ceiling. Keep a gap of 80-120 cm between hanging rows.**



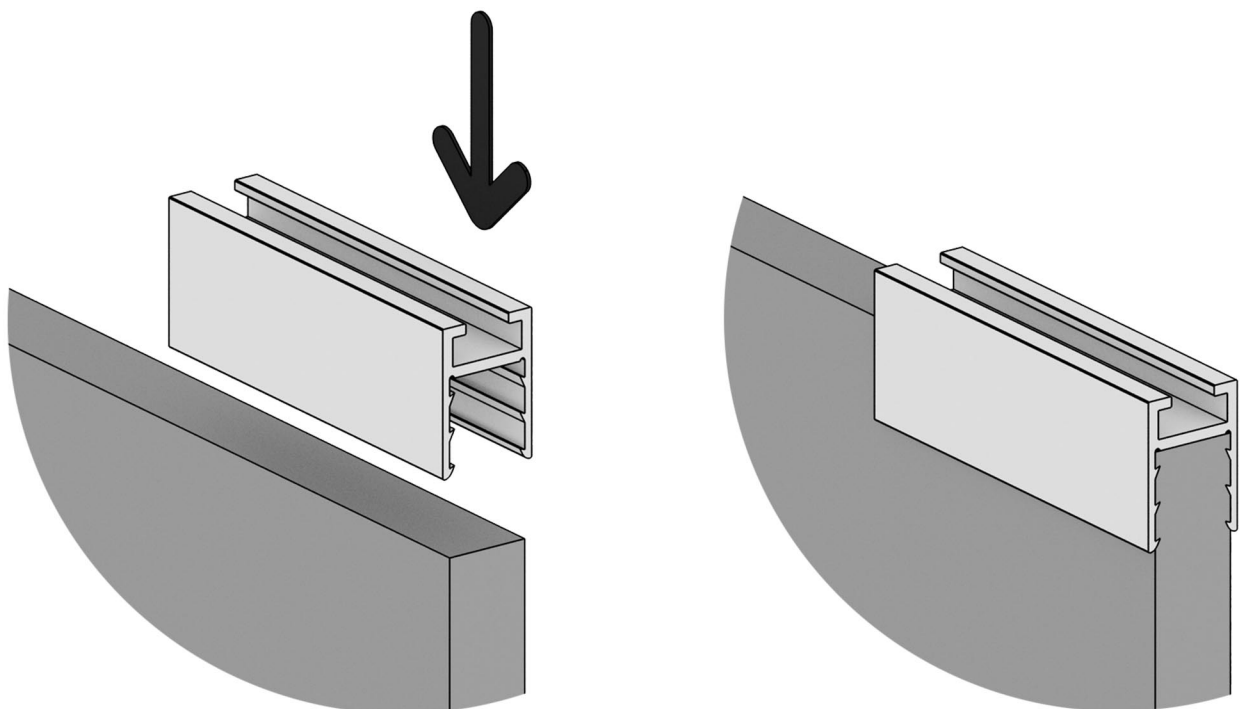
- ② **Install the adjustable hangers accordingly.**



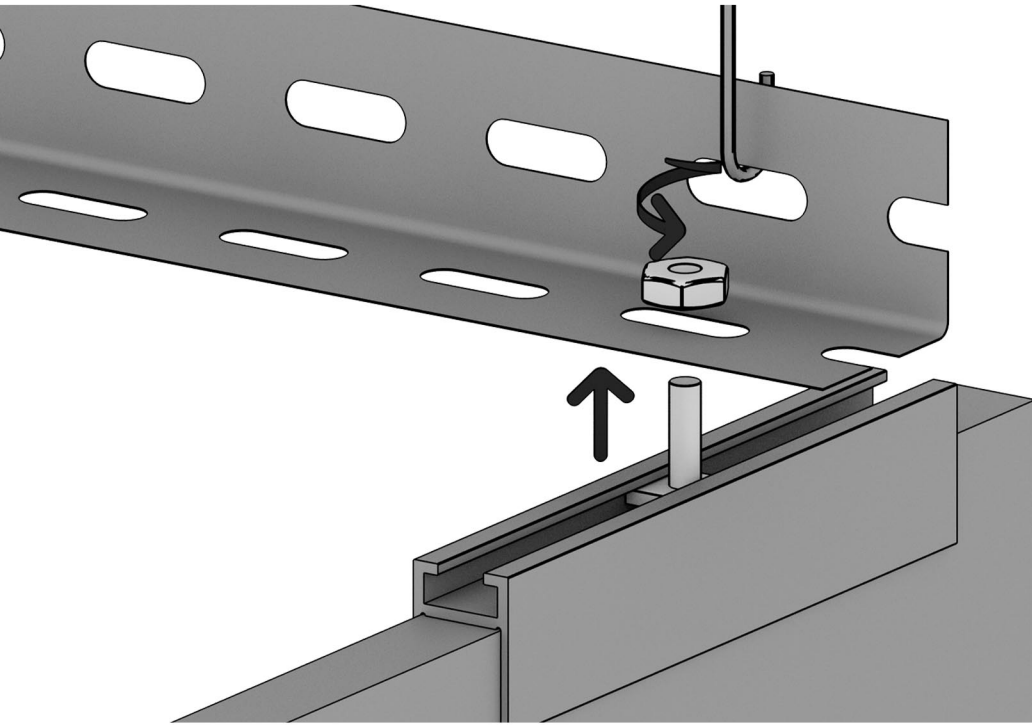
③ **Connect the Perforated L Profiles to the Adjustable Hangers.**



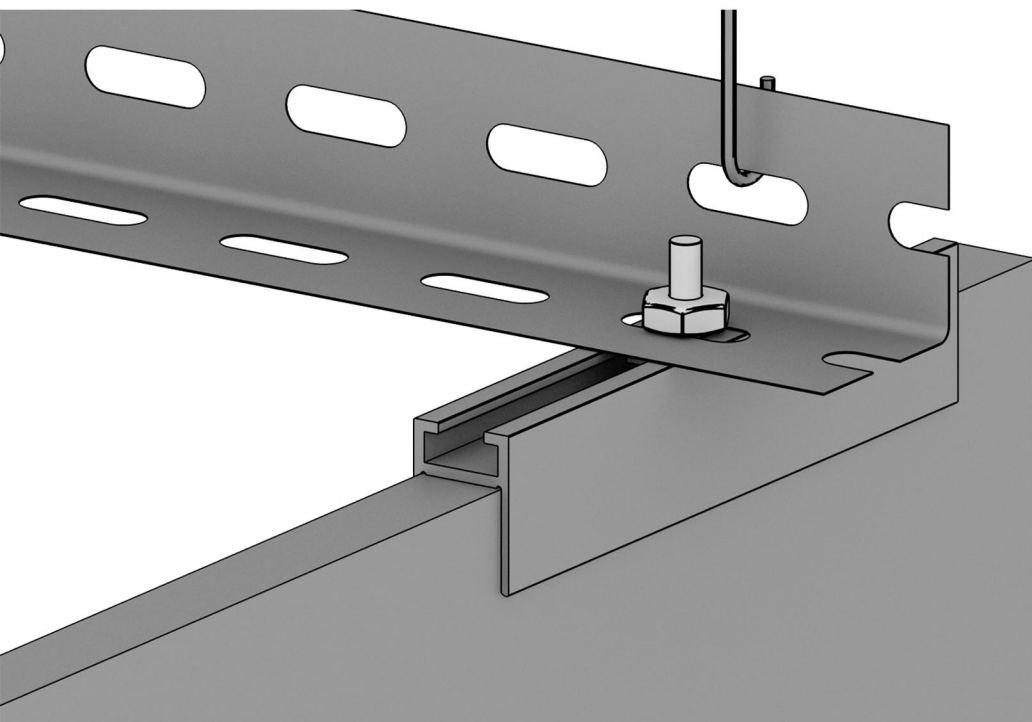
④ **Nail the U Profile into the Baffles.**
Make sure to do so all the way down.



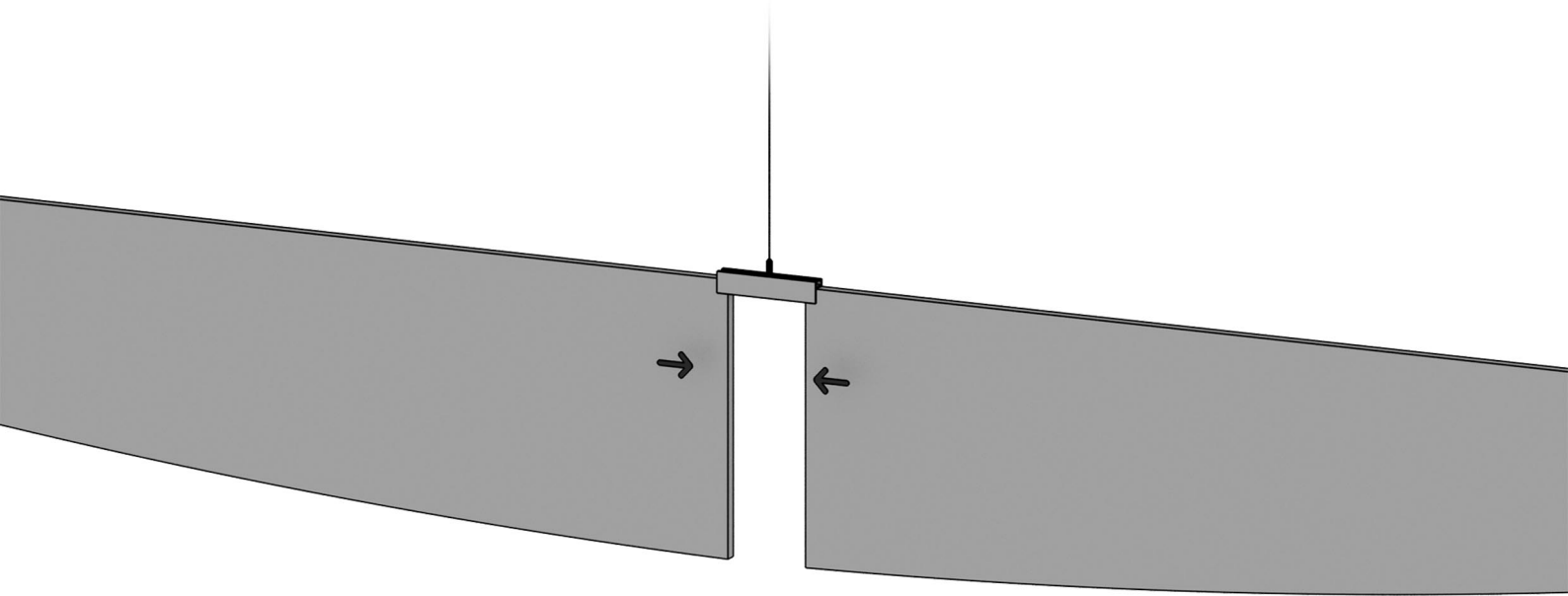
5 **Thread the screw into the U Profile.**



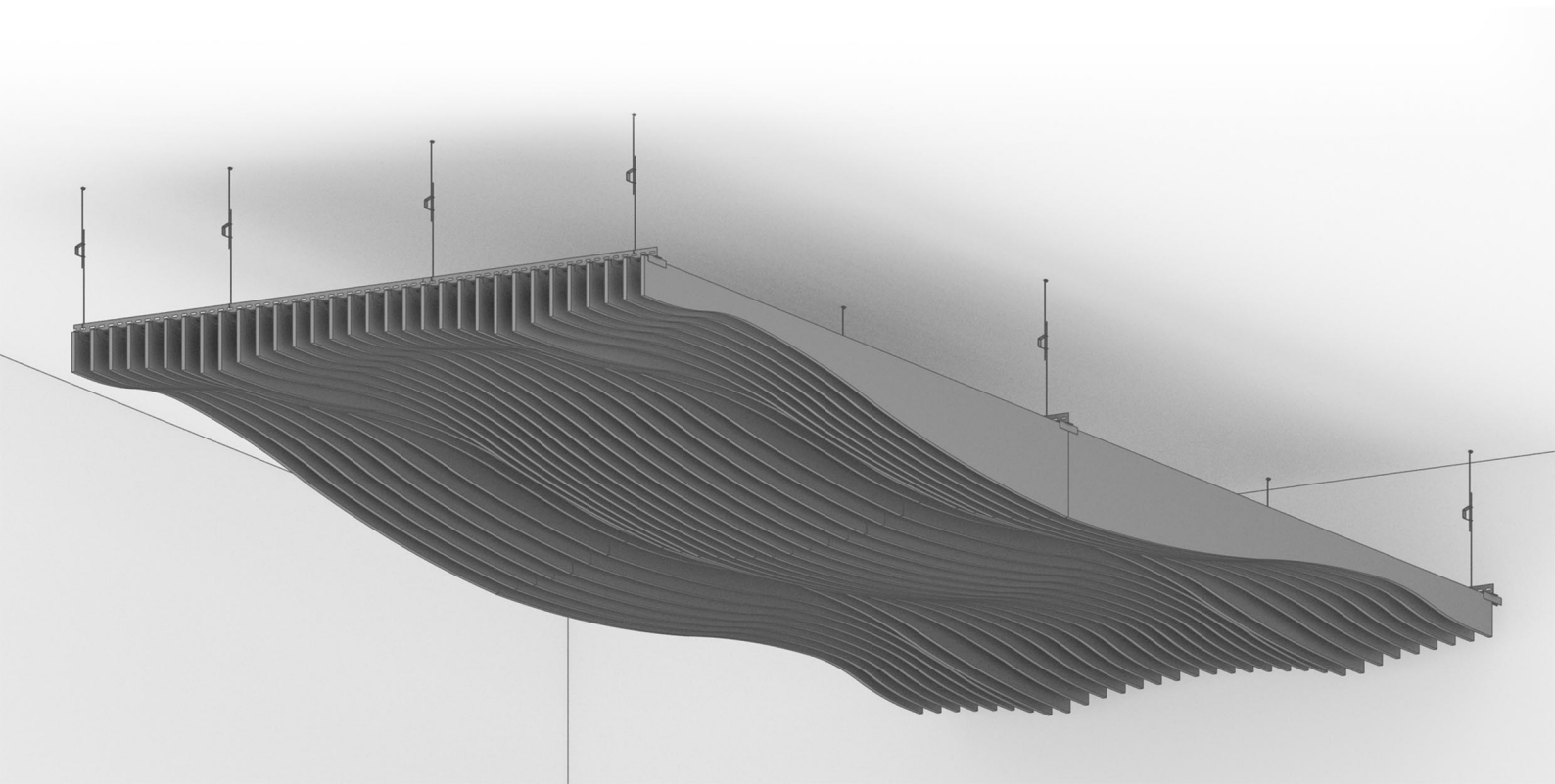
6 **Tighten the nut to the screw.**



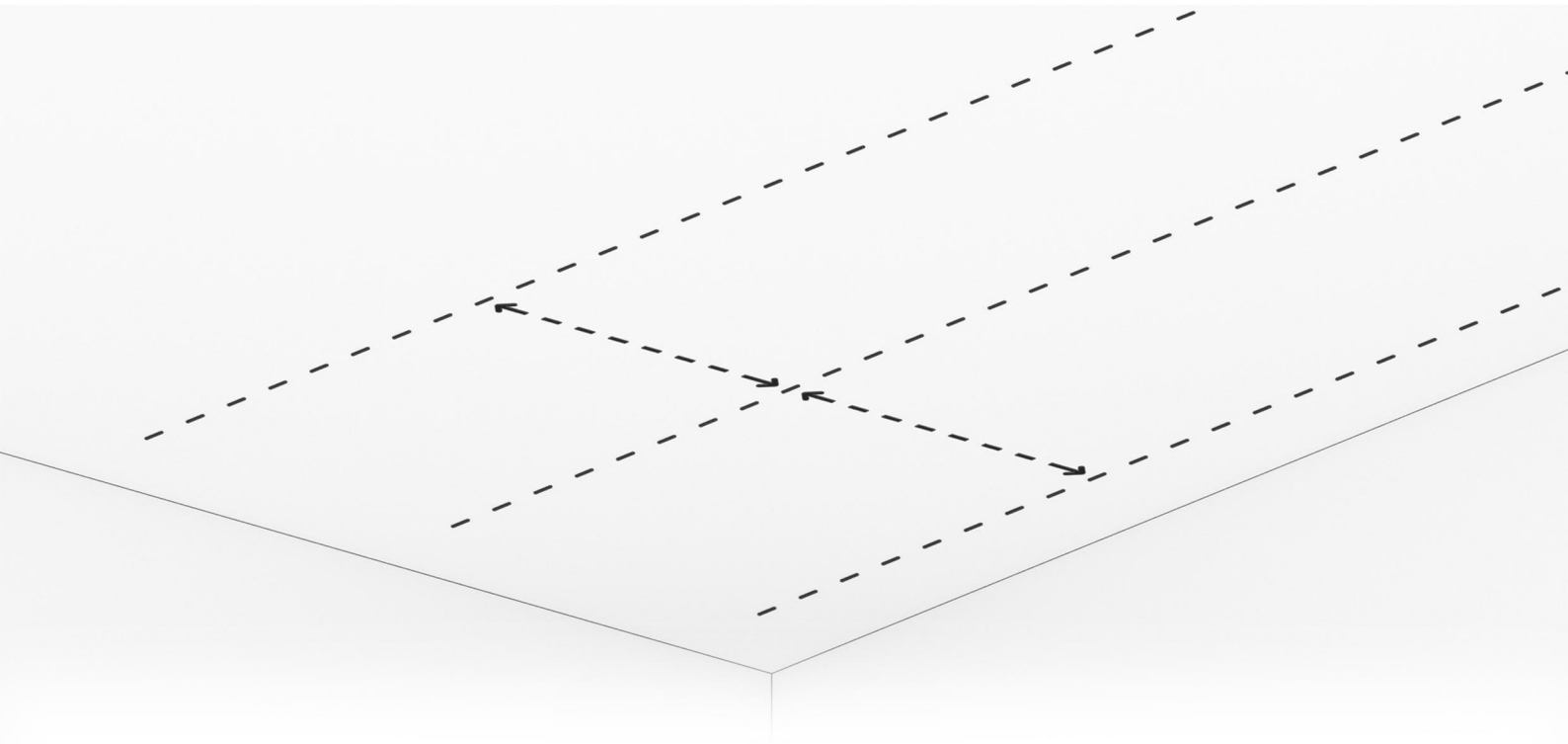
⑦ **When two Baffles aligned - make sure to connect them with a U Profile.**



⑧ **Repeat the process for the entire ceiling.**



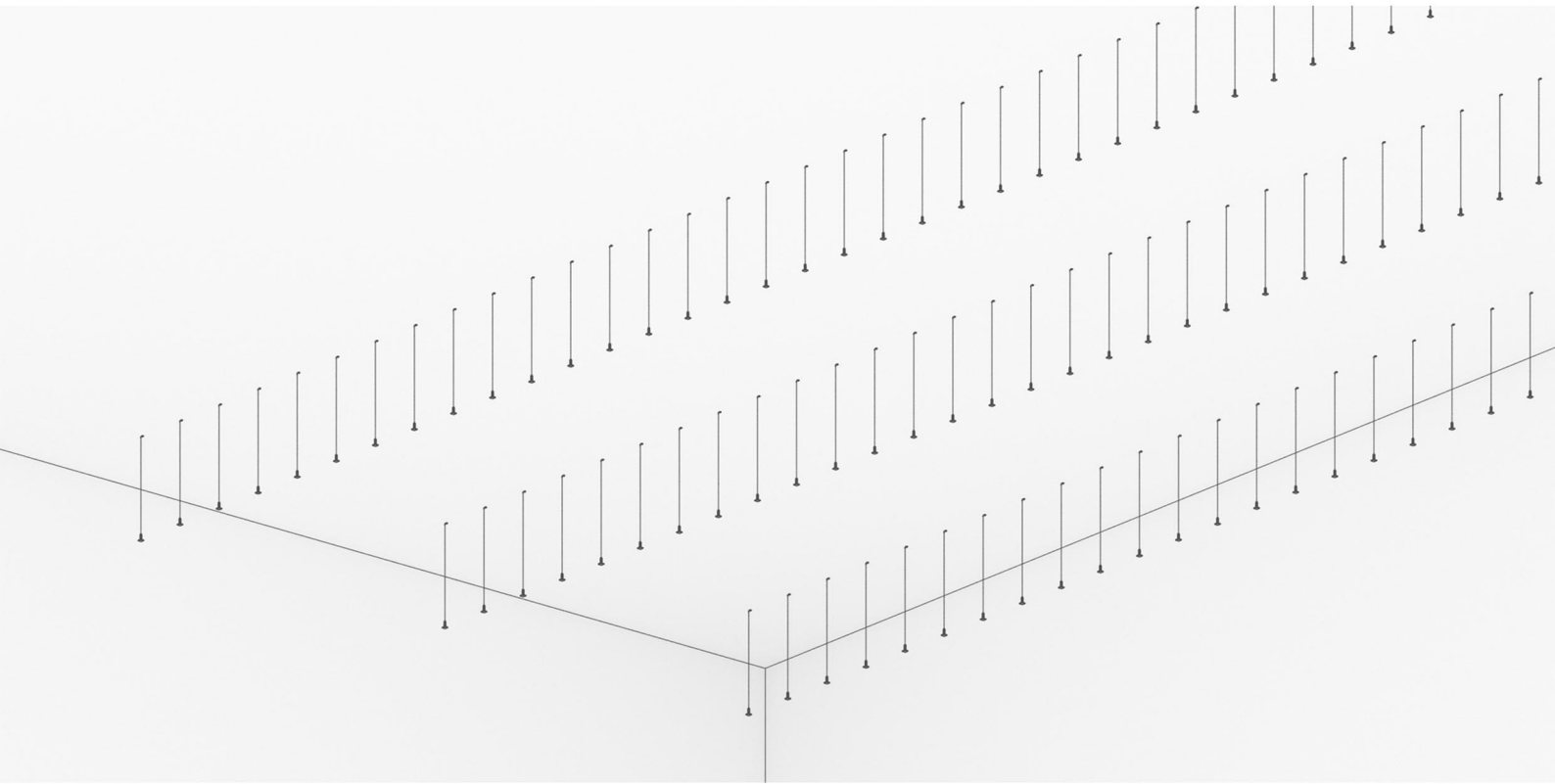
- ① **Mark the ceiling line on the above ceiling. Keep a gap of 80-120 cm between hanging rows.**



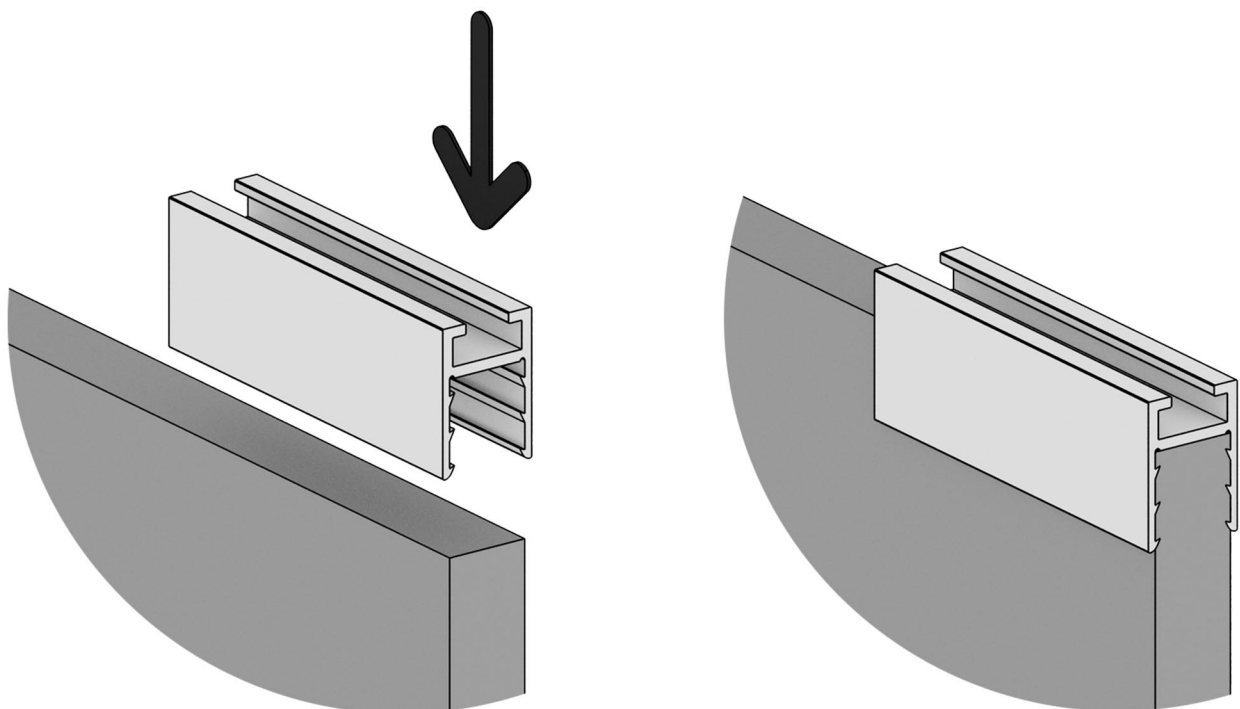
- ② **Install the adjustable hangers accordingly.**



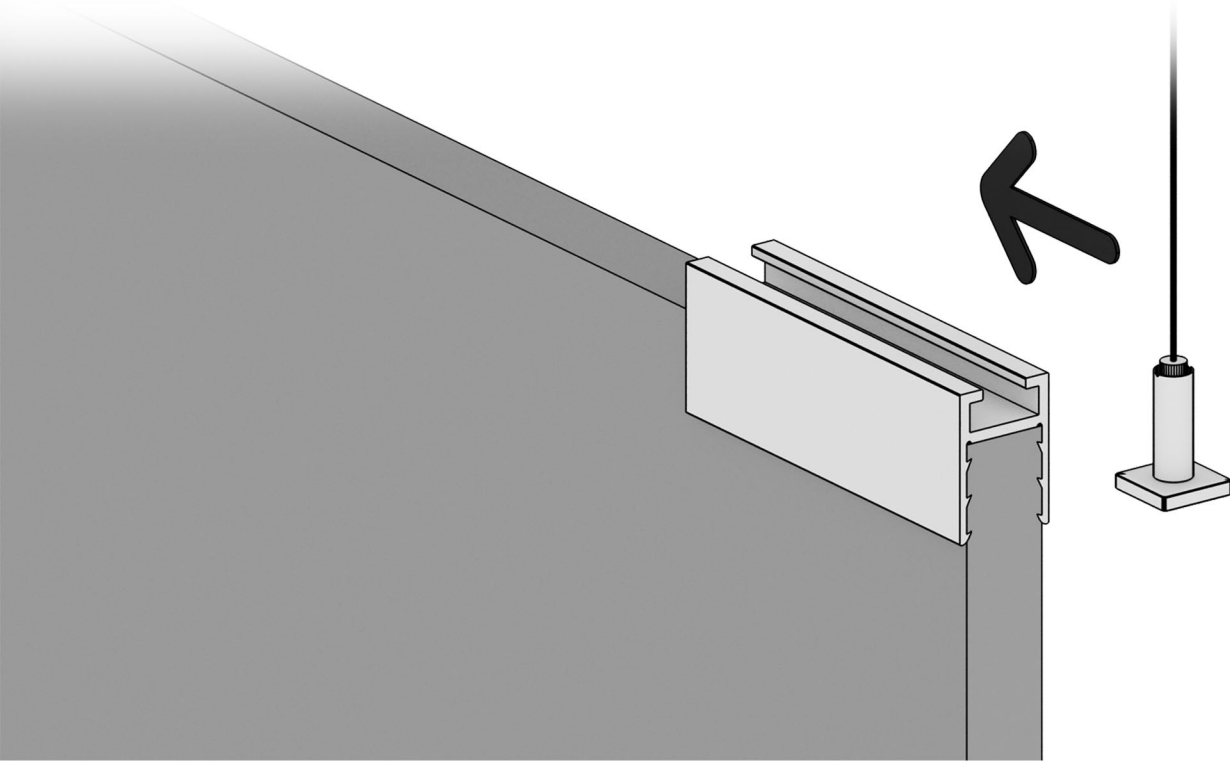
③ **Keep the gap at a consistent distance.**



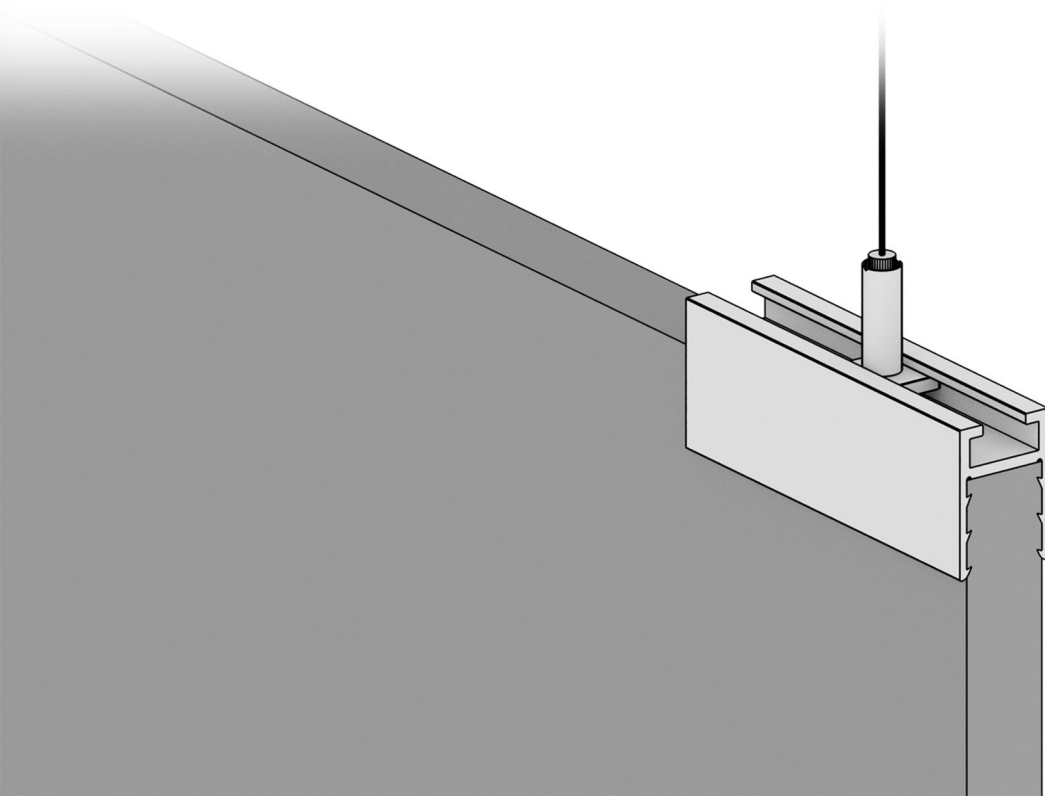
④ **Nail the U Profile into the Baffles.**
Make sure to do so all the way down.



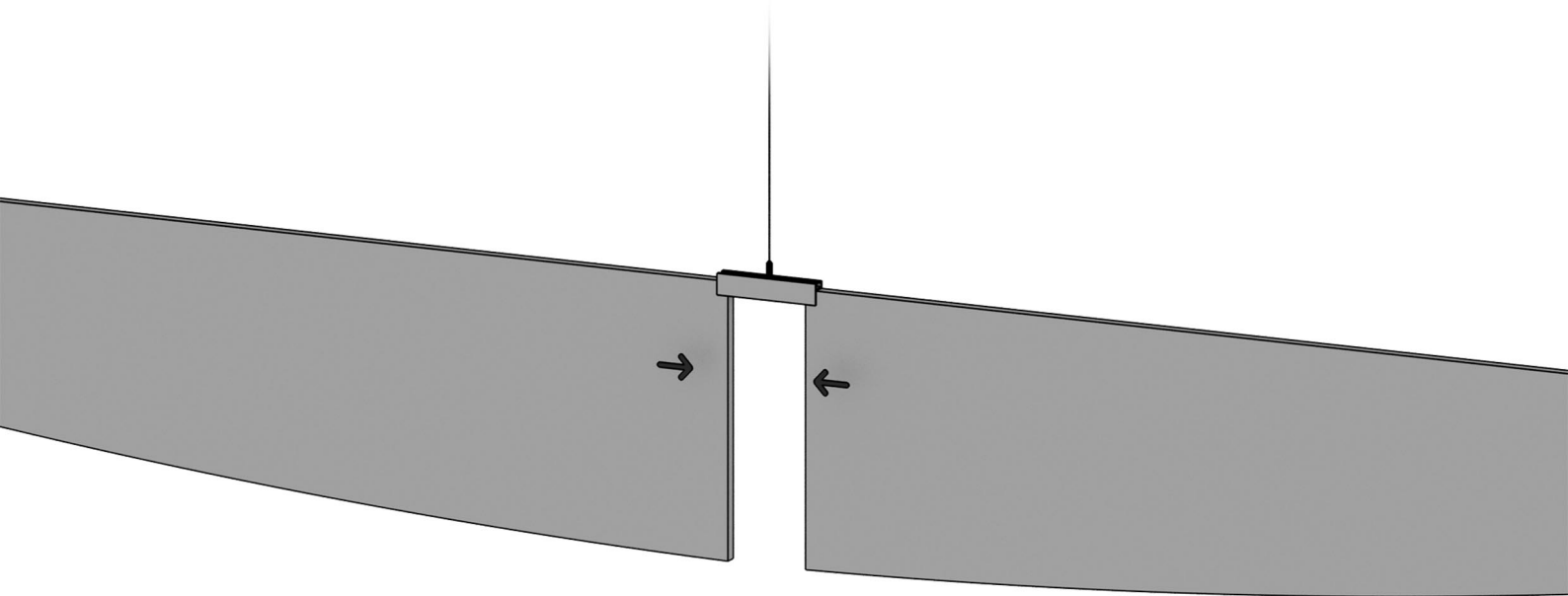
- 5 **Thread the dedicated cable hanging accessory into the U Profile.**



- 6 **Make sure it is properly tightened.**



- 7 **When two Baffles aligned - make sure to connect them with a U Profile.**



- 8 **Repeat the process for the entire ceiling.**

